

313-A Tipper

Tipper™ Fork Truck Service Lift

Fast, Safe and Easy Fork Lift Maintenance

Tilt-or-Lift, Inc., the leading designer of specialty lifts since 1973, offers a hot tip on improving fork lift maintenance...the new *Tipper™* fork lift service lift.

The revolutionary machine tilts lift trucks a full 90 degrees, thereby, offering unobstructed access to the entire vehicle underbody. Just drive the vehicle onto the *Tipper™* service lift, and let the *Tipper™* service lift do the rest. Nothing could be simpler....or more cost-effective.

A New Level of Safety and Versatility

The *Tipper™* service lift complies with applicable ANSI and OSHA requirements. Automatic safety pawls are incorporated in the design to prevent accidents in the event of hydraulic failure. It requires very little floor space and is portable.

Each American-made unit is factory tested and assembled and comes with a full one-year warranty. The unit accommodates most standard-size fork lifts and has proven to save hundreds of maintenance hours per year.

The *Tipper™* service lift; one of the fine family of fork lift service lifts available from Tilt-or-Lift, Inc., the lift specialists. There are no finer lifts available – anywhere.

"We stand under our products."



**Manufacturers of
Fork Lift Maintenance Lifts**

P.O. Box 8728
Maumee, Ohio 43537-8728
Tilt-A-Lift®, Lift-A-Lift®, Tipper™, Tilter™, Port-A-Lift™

Telephone: (419) 893-6944
www.tiltorlift.com
email: sales@tiltorlift.com

Tipper™ Fork Truck Service Lift

Specifications

Model 313-A

- Weight Capacity: 13,000 lb. G.V.W. at 54" Overall Tread Width
- Length Clear: 85-1/2"
- Length Overall: 178"
- Width Clear: 65-1/2"
- Width Overall: 89-1/2" Closed Working
- Max. Tilt Angle: 90 Degrees
- Motor: 5 HP
- Power: 3 Phase
- Shipping Weight: 6,500 lbs.
- Height Overall: 103" (Tipped) 61-1/2" (Not Tipped)

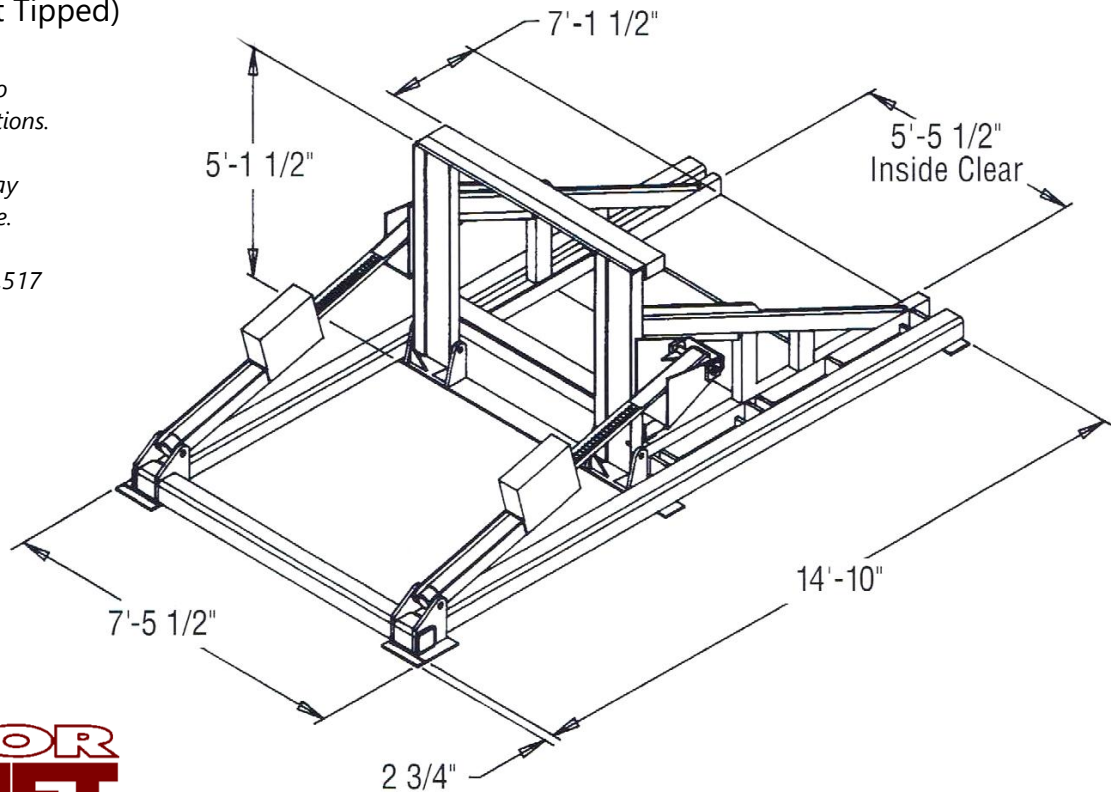
Features

- Automatic Hydraulic Safety Locks
- Electrical Safety Interlock System
- Lockable Control Panel
- Safety Release Handle
- Shipped Assembled and Factory Tested

All units are subject to change and modifications.

Note: Dimensions may change without notice.

U.S. Patent No. 4,966,517 and 5,478,191



**Manufacturers of
Fork Lift Maintenance Lifts**

P.O. Box 8728
Maumee, Ohio 43537-8728
Tilt-A-Lift®, Lift-A-Lift®, Tipper™, Tilter™, Port-A-Lift™

Telephone: (419) 893-6944
www.tiltorlift.com
email: sales@tiltorlift.com